

WINDOWS
FOLLOWED
BY
INTERIOR



KONTAKT

www.talmet.pl
biuro@talmet.pl

TALMET

ALUMINUM FOR HOMES



WE PROVIDE
OUR PRODUCTS
WITHIN SYSTEMS

aliplast[®]
aluminium systems

ALUPROF
ALUMINIUM SYSTEMS



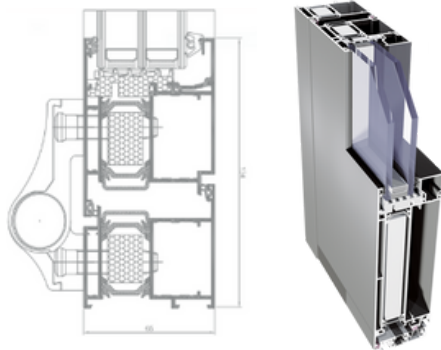
WHY ALUMINUM?

Opening sign of the modern buildings there are aluminum windows and doors with all of their advantages and functional energy saving properties as well as innovative solutions. Strength of the aluminum frames enables a wide range of structural possibilities. They, in turn, enable brave designs with great glazing. Aluminum windows and doors fit perfectly simple architecture of contemporary designs. Aluminum frame windows are rigid and strong which translates into great load resistance. Aluminum is also characterized by resistance for weather conditions and microbiological ones.

DOOR SYSTEMS

IMPERIAL

- Three chamber door system with thermal insulation enabling erection of different types of doors depending on the scope of application and detailed requirements concerning functionality, thermal insulation and aesthetics of the structure.
- The system is characterized by very good anti-burglary properties (lock located far from the outside).
- Increased insulation rate has been achieved through special thermal inserts between the thermal spacers and around the glass.
- An economical system intended for use in residential buildings, with an emphasis on public and industrial buildings.



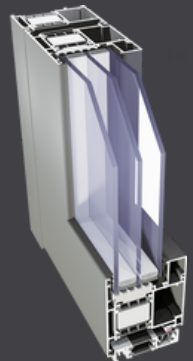
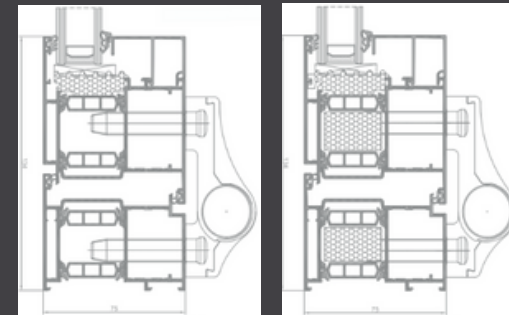
SYSTEM	MATERIAL	DEPTH OF FRAME	DEPTH OF SASH	THICKNESS OF GLAZING	TYPES OF DOOR	THERMAL INSULATION
IMPERIAL SERIES 800	Aluminium	65mm	74mm	4-51mm	single/double winged outward or inward opening, panic doors	Uf from 1,6 W/m2K
IMPERIAL SERIES 800i+	Aluminium	65mm	74mm	4-51mm	single/double winged outward or inward opening, panic doors	Uf from 1,4 W/m2K

* Uf factor determines heat flow via profiles. The lower Uf value the better thermal insulation.
 * Thermal insulation depends on combination of a profile and panel thickness.

DOOR SYSTEMS

SUPERIAL

- Three chamber door system with thermal insulation, designed to produce doors with high insulation parameters.
- Three chamber door system with thermal insulation, designed to produce doors with high insulation parameters.
- Increased insulation rate has been obtained due to special thermal inserts between the thermal spacers and around the glass; this solution improves the insulation of the section by 0.2 - 0.5 W/m2K.
- The system is designed for use in residential, public and industrial buildings.
- The system depth of 75mm makes the structures rigid and strong.

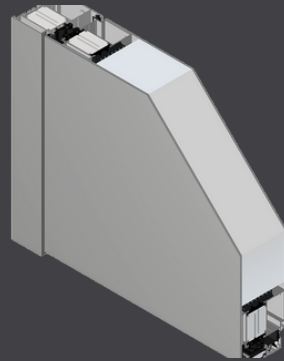
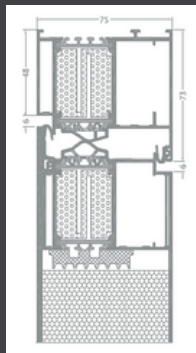


SYSTEM	MATERIAL	DEPTH OF FRAME	DEPTH OF SASH	THICKNESS OF GLAZING	TYPES OF DOOR	THERMAL INSULATION
SUPERIAL SERIES 800	Aluminium	75mm	75mm	14-69mm	single/double winged outward or inward opening, panic doors	Uf from 1,61 W/m2K
SUPERIAL SERIES 800i+	Aluminium	75mm	75mm	14-69mm	single/double winged outward or inward opening, panic doors	Uf from 1,36 W/m2K

DOOR SYSTEMS

GENESIS

- Three chamber, triple seal door system designed for doors with increased thermal insulation, including panel doors.
- Genesis thermal parameters meet the requirements applicable from 2021. On the basis of the Genesis door system, panel doors of high insulation and functionality class can be made,
- The system enables use of aesthetic hinges: surface, roller or concealed.
- The system is characterized by a wide range of filling panels, available in different patterns and colors - this enables adjusting the joinery to individual needs.



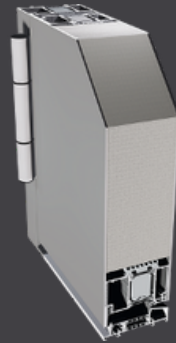
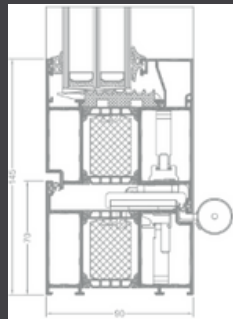
SYSTEM	MATERIAL	DEPTH OF FRAME	DEPTH OF SASH	THICKNESS OF FINISHING	TYPES OF DOOR	THERMAL INSULATION
GN i+ DOORS	Aluminium/ Poliamid	75mm	75mm	1-59mm	single, double-sash, opening to the outside, opening to the inside	Uf from 1,195 W/m2K
PD GN 75	Aluminium/ Poliamid	75mm	75mm	40-66 mm single side panel, 75 mm double side panel	single, double-sash, opening to the outside, opening to the inside	Uf from 1,28 W/m2K

* Uf factor determines heat flow via profiles. The lower Uf value the better thermal insulation
 * Thermal insulation depends on combination of a profile and panel thickness.

DOOR SYSTEMS

STAR

- Modern aluminum system intended for designing doors that require very good thermal insulation, including panel doors.
- The system is particularly recommended for energy-efficient buildings and those undergoing thermo-modernization.
- Application of the STAR system in window and door joinery increases the thermal comfort also in standard objects.
- Possibility of fitting doors with a system of roller hinges with a very high bearing capacity.
- Modern design.
- Ideal for large glazing and innovative projects.



SYSTEM	MATERIAL	DEPTH OF FRAME	DEPTH OF SASH	THICKNESS OF FINISHING	TYPES OF DOOR	THERMAL INSULATION
GT DOORS	Aluminium	90mm	99mm	14-72mm	single, double-sash, opening to the outside, opening to the inside	Uf from 1,21 W/m2K
PD	Aluminium/poliamid	90mm	99mm	single-side panel 22-83mm double side panel 90mm	single, double-sash, opening to the outside, opening to the inside	Uf from 0,73 W/m2K

* Uf factor determines heat flow via profiles. The lower Uf value the better thermal insulation
 * Thermal insulation depends on combination of a profile and panel thickness.

WINDOW SYSTEMS

SUPERIAL

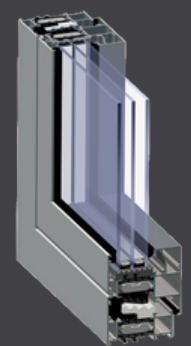
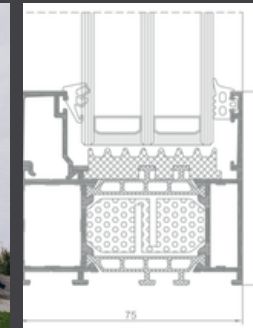
- The system is designed to manufacture windows and shop windows with very good thermal insulation parameters.
- It enables designing modern solutions of window structures in many variants. It is used when designing residential and public buildings.
- Wide range of glazing enables use of all common types of single or double glazing, acoustic or anti-burglary glass.
- Thermal insulation of Superial I+ window: U_f^* from 1.08 W/m²K



SYSTEM	MATERIAL	DEPTH OF FRAME	DEPTH OF SASH	THICKNESS OF GLAZING	TYPES OF WINDOWS	SECTIONS
SUPERIAL I+	Aluminium	75mm	84mm	14-61mm	single, double-sash, opening to the outside, opening to the inside	
SUPERIAL OUTWARD	Aluminium	75mm	84mm	max 50mm	opening to outside	
SUPERIAL HIDDEN SASH	Aluminium	75mm	78mm	14-51mm	hidden sash	

GENESIS

- A system designed for constructing windows in single-family buildings, providing an ideal price/quality ratio. The thermal parameters of Genesis windows meet the requirements that will apply from 2021.
- The system is based on modern insulation materials which are novelties on the market; apart from the classic central window gasket, an additional thermal gasket has been designed; owing to this solution, a very high tightness of windows (air infiltration, water tightness) as well as an innovative appearance and aesthetics have been obtained:
- Thermal insulation of a window U_f^* from 0.84 W/m²K



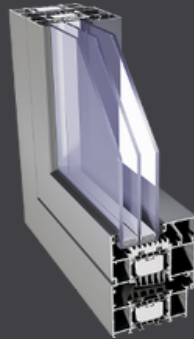
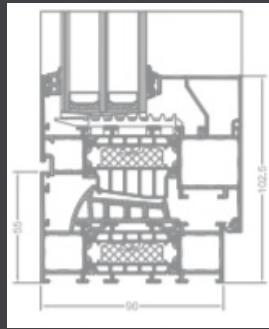
SYSTEM	MATERIAL	DEPTH OF FRAME	DEPTH OF SASH	THICKNESS OF GLAZING	TYPES OF WINDOWS
GN WINDOW	Aluminium	75mm	84mm	fix 1-56mm tilt-turn 9-65mm	fix windows, turn, tilt and tilt-turn windows

* U_f factor determines heat flow via profiles. The lower U_f value the better thermal insulation
 * Thermal insulation depends on combination of a profile and panel thickness.

WINDOW SYSTEMS

STAR

- Modern, uncompromising aluminum system intended for windows requiring excellent thermal insulation. The system is particularly recommended for low-energy buildings and those undergoing thermal modernization.
- Use of the STAR system in window and door joinery increases the thermal comfort even in standard buildings.
- The same type of insulation insert in the window sash and in the window frame provides continuous protection from the heat loss for the entire structure.
- Modern design
- Ideal for large glazing.
- New standard of profile overlap with glass - increased depth improves thermal and structural properties of the system.
- Thermal insulation of the window: U_f^* from 0.73 W/m²K



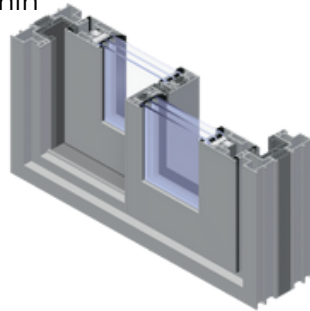
SYSTEM	MATERIAL	DEPTH OF FRAME	DEPTH OF SASH	THICKNESS OF GLAZING	TYPES OF WINDOWS
GT WINDOW	Aluminium	90mm	99mm	fix 14-72mm ru 23-81mm	walls, fix windows, tilt-turn

* U_f factor determines heat flow via profiles. The lower U_f value the better thermal insulation
 * Thermal insulation depends on combination of a profile and panel thickness.

SYSTEM SLIDING

VISOGLIDE

- Possible combinations of two, three, four and six-piece combinations based on a two- or three-track frame
- Lightweight sliding door system with extremely thin profiles.
- Ideal solution for e.g. winter gardens.
- Thermal insulation: U_f^* from 2,1 W/m²K



SYSTEM	MATERIAL	DEPTH OF FRAME	DEPTH OF SASH	THICKNESS OF GLAZING	WEIGHT OF SASH	TYPES OF DOOR
Visoglide	Aluminium	118/142/184mm	51mm	6-36mm option Monorail: 18-60mm	up to 250kg (slide) to 200kg (lift & slide)	Slide, lift & slide

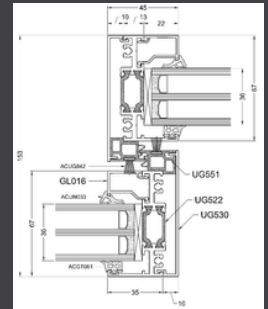
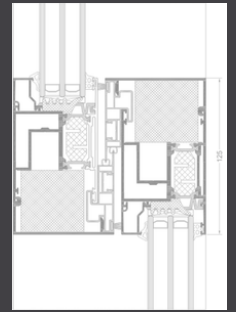
STANDARD - option available for Ultragliding and Visoglide systems



SYSTEM SLIDING

ULTRAGLIDE

- Max. dimensions of the structure
 - Sash height $H_s=3300$ mm
 - Sash width $B_s=3200$ mm
 - Frame: 3, 5 and 7- chamber system
 - Possible combinations: two, three and four-element combinations on the basis of the two-chamber system
- System adapted to the latest requirements in the field of thermal insulation, aesthetics and safety.
- Thermal insulation: U_f^* from 1.45 W/m²K



SYSTEM	MATERIAL	DEPTH OF FRAME	DEPTH OF SASH	THICKNESS OF GLAZING	WEIGHT OF SASH	TYPES OF DOOR
Ultragliding	Aluminium	from 153 mm to 239 mm	67mm	sash 14-52mm	to 250kg (sliding) to 400kg (lift & slide)	Slide, lift & slide

MONORAIL option for the system Ultragliding and Visoglide



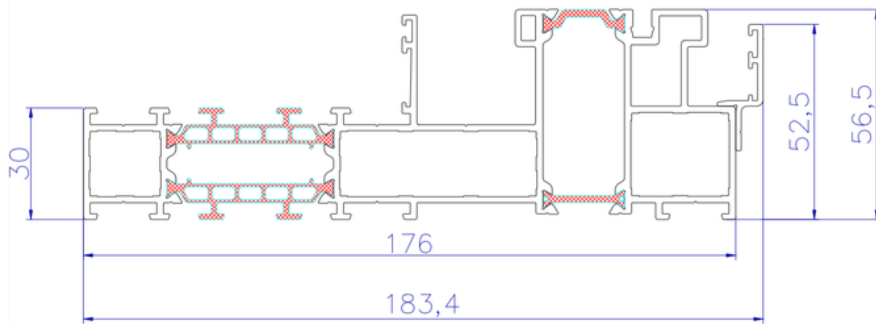
* U_f factor determines heat flow via profiles. The lower U_f value the better thermal insulation
 * Thermal insulation depends on combination of a profile and panel thickness.

SLIDE SYSTEMS

DOOR SILL TYPES H S T :

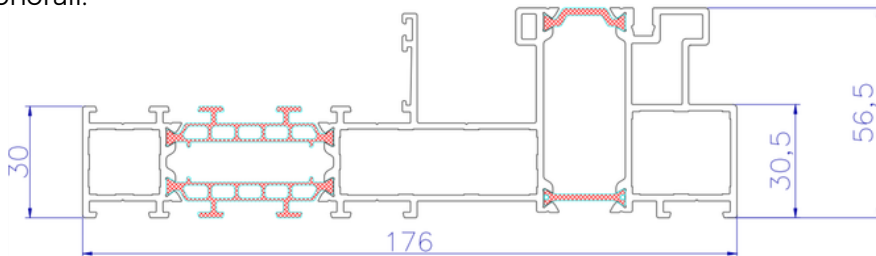
• UG613+UN010

Monorail with a drip cap installed from the inside



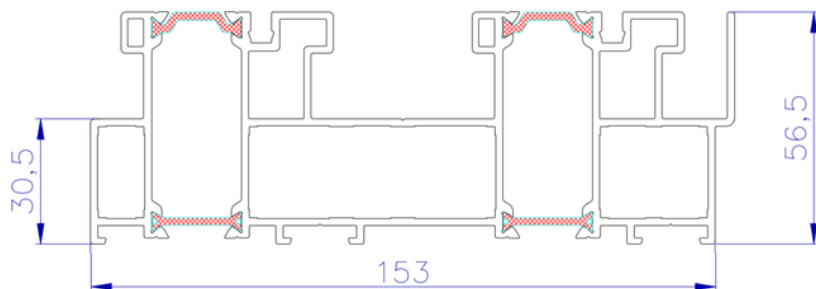
• UG613

Monorail:



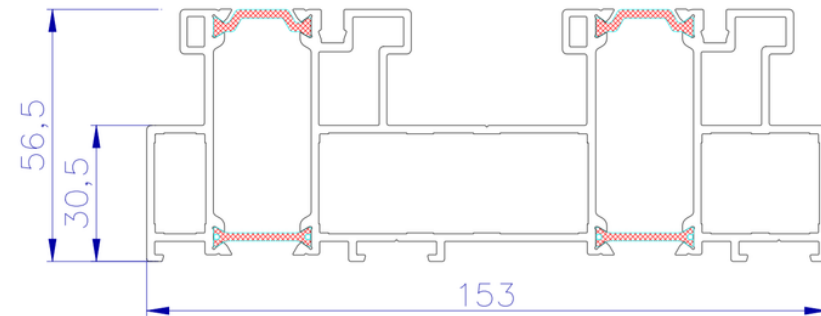
• UG812

HST 2-track with a drip cap:



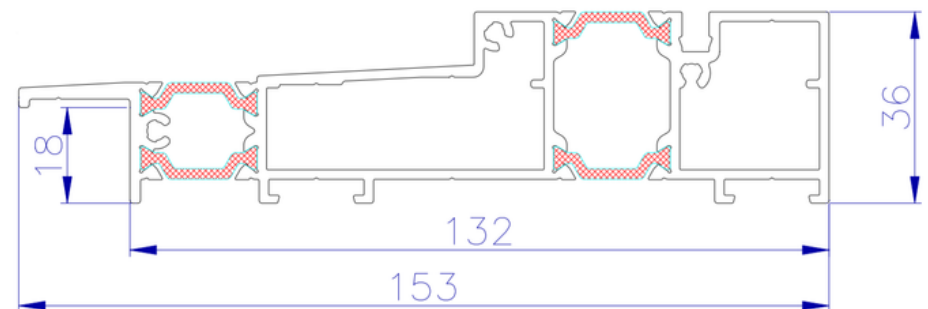
• UG810

HST 2-track



• UG1114

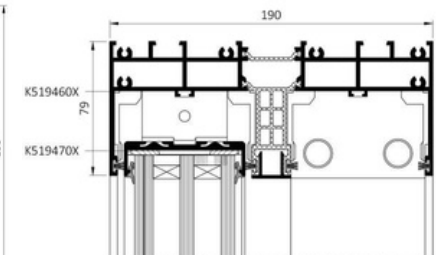
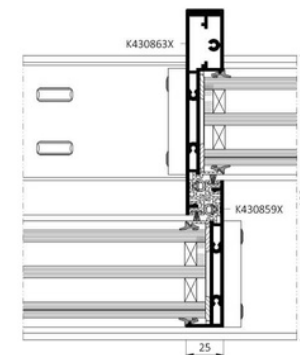
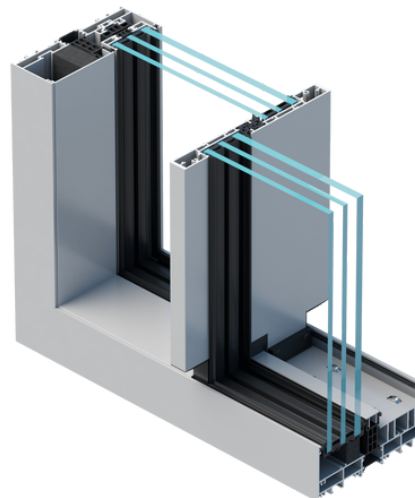
HST with a flat sill, not requiring water discharging systems



SLIDE SYSTEMS

MB-SKYLINE TYPE R (ALUPROF)

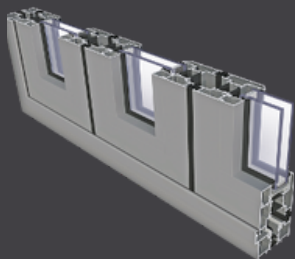
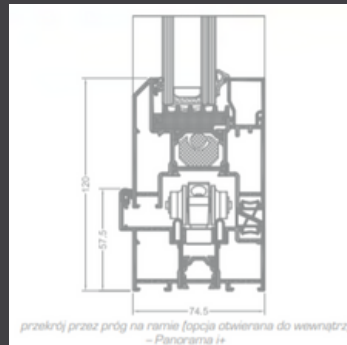
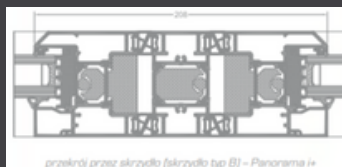
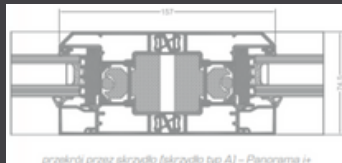
- Modern system of large sliding doors, characterized by lightness and aesthetics.
- It is based on narrow profiles thanks to which structures gain a modern look while providing a panoramic view of the house surroundings.
- Large elements do not need much strength to move, and the mechanism works very silently.
- The door frame is built into the walls, floor and ceiling, while the door sash profiles are completely concealed in the top and bottom frames.
- In case of choosing the actuator drive or locking on the mullion, the door sash profiles are not visible on the sides of the structure either. 25 mm wide mullion on the sash connection,
- Comfortable, shallow frame with a depth of 23 mm,
- Max. weight of manually opened sash: 500kg, with surface actuator: 700kg
- Glazing range from 52 to 60mm,
- Structural depth of door sections: 71 mm for the sash and 190 mm for the frame,
- Door sash made of modern insulating material with high thermal parameters,
- Slip seals used in the door frame: modern, aesthetic. Rollers due to the sash moves are available in stainless steel and black polyamide,
- Manual locking using the BT Lock hardware or on the mullion, Surface mounted actuator with radio receiver and security radar,
- Modern drainage system including system gutter, System height-adjustable mounting consoles. Structural foundation with high thermal insulation,
- The system has a so-called "zero mullion", which enables use of sun shades from the outside, such as SkyFlow blinds and SkyRoll screens.



ACCORDION SYSTEMS

PANORAMA

- Three chamber thermally insulated door system designed to build accordion doors enabling arrangement of wide open passages.
- Possibility of using two types of the sill system: system with a flat sill with a brush seal and a tight sill made on the basis of the entire frame along the perimeter of the entire terrace window.
- They can be opened to the inside or outside in a very large configuration of the sashes. The system makes it possible to create an aesthetic and comfortable development enabling, at the same time, a very effective use of space in the building.
- Recommended for: balconies, terraces or winter gardens, as well as structures suitable for public buildings and commercial buildings.



SYSTEM	MATERIAL	DEPTH OF FRAME	DEPTH OF SASH	THICKNESS OF GLAZING	WEIGHT OF SASH	THERMAL INSULATION
DV	Aluminium	74,5mm	74,5mm	16-50mm	up to 100kg	Uf from 1,68 W/m2K
DV i+	Aluminium	74,5mm	74,5mm	16-50mm	up to 100kg	Uf from 1,33 W/m2K


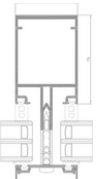
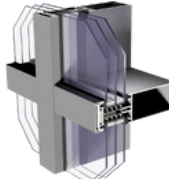
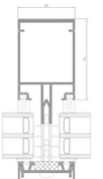
* Uf factor determines heat flow via profiles. The lower Uf value the better thermal insulation
 * Thermal insulation depends on combination of a profile and panel thickness.

FAÇADE SYSTEMS

MC WALL, MC PASSIVE

- Aluminum facades are a solution intended to create spatial glazed facades.
- They ideally fit public use buildings such as: shopping centers, office buildings, hotels, car showrooms, banks, offices, universities, as well as residential houses, giving them a modern look and enabling implementation of bold architectural projects.
- The aluminum facade systems are also perfect for roof glazing, where the main objective is to provide the best possible illumination of the building's interior and give it a unique character.
- Catalog of aluminum facades includes a wide range of solutions with different structure and appearance.
- You will also find facade systems of different thermal classes, which is important in the energy-efficient and passive buildings



SYSTEM	MATERIAL	DEPTH OF MULLIONS	DEPTH OF LOCKS	THICKNESS OF FILLING	STIFFNESS OF MULLIONS	STIFFNESS OF LOCKS	THERMAL INSULATION	SECTION
MC WALL	Aluminium	10-326mm	10-294mm	4-59mm	2,5 - 4092cm ⁴ *	0,9 - 1831,1cm ⁴ *	Uf from 0,84 W/m ² K	 
MC PASSIVE	Aluminium	10-326mm	10-294mm	4-59mm	2,5 - 4092cm ⁴ *	0,9 - 1831,1cm ⁴ *	Uf from 0,79 W/m ² K	 

PRICES:

- Prices in the price list are net.
- Add the VAT tax to the prices acc. to valid rates.
- Advance payments and terms are established in terms & conditions of the cooperation.
- The price list does not constitute an offer in the light of the Civil Code.
- The price list is binding in the area of Poland.

REALIZATIONS:

- Non-standard orders are subject to individual pricing.
- Orders are completed after an advance payment has been made.
- Orders are completed within 6-8 weeks. Detailed term is determined in the order confirmation
- Talmet S . C . Company reserves its right to all provided products till the entire payment has been made.

GUARANTEE

- Delivered products are defect free.

- Products for residential use have a 5-year guarantee covering aluminum joinery, varnish and woodgrain coating and a 1-year guarantee on accessories (hinges, handles, locks, handles, door closers).

- Products for public use have a 2-year guarantee for joinery and a 1-year guarantee for accessories. It is possible to extend the guarantee from 2 to 5 years on individual conditions.

- A condition to use the guarantee is a purchase evidence document.

- A way the guarantee is performed depends on the manufacturer. It can repair the complained product, replace it or reduce the price.

THE GUARANTEE SHALL NOT COVER:

- Mechanical damage,
- Damage caused by improper use and maintenance.
- Structural changes made by the customer without manufacturer's approval.
- Repairs carried out by persons not authorized by the manufacturer.
- Visible defects such as mechanical damages, scratches on the profile and glass.

The purchaser is obliged to report any defects such as mechanical damage, scratches on the profile and glass upon receipt of the goods

WASHING AND USE

- Wash the door once a year at least.

- Use warm, clean water with a gentle detergent and cotton cloth.

- Neither use the water steam to wash the surface nor strong acid or alkaline detergents.

- Do not use organic solvents with ketones, alcohols or chlorine since they may react with the aluminum

- Powder coats are not resistant to mechanical damages caused by abrasive materials

- Too long lasting protective tapes may cause strong adherence to the powder coat and may result in impossibility to remove the tapes without damaging the powder coats.

NOTE:

General commercial terms & conditions: www.talmet.pl



ABOUT US

More than 30 year experience in the field of aluminum joinery production has enabled us to implement solid standards.

Our special attention is paid to

- thermal issues, hence, we focus on energy saving solutions,
- high quality materials and professional machine park as well as
- aesthetics.

HIGH QUALITY

Perfect appearance and reliability? We know how to ensure this combination!

We design aluminum doors taking care for every detail.

At every stage of production we care for high precision and high quality.

Are you a distributor looking for a trust worthy manufacturer?

We are for you!

OUR CLIENTS

The offer is also addressed to dealers of window & door joinery looking for professional cooperation characterized by:

- High customer service quality
 - Punctuality
- Guarantee service and post-guarantee service
- Professional consultancy
 - Production adjusted to individual needs.

TALMET

TALMET S.C. KAMIL PUCHAŁKA, ZUZANNA PUCHAŁKA

tel. 33 81 74 020
biuro@talmet.pl
www.talmet.pl

COPYRIGHT BY TALMET S.C.
KAMIL PUCHAŁKA, ZUZANNA PUCHAŁKA
